

CraftCan Go Canning Line

ABE
EQUIPMENT

The CraftCan Go is a unique and versatile machine that can switch between atmospheric and counter pressure filling. This filling flexibility gives companies the freedom to expand into high-carb beverages without purchasing a new canning line. Its compact design and mobility are additional enhancements that set this unit apart from the competition.

Another advantage of the CraftCan Go is its single-user operation. The physical layout and the infeed/outlet accumulation allows one person to load cans, make adjustments to the HMI, and pack off.

Whether you are packaging a low-carbonated beverage or something with a high volume of CO₂, the CraftCan Go will get the job done.

Precise Counter Pressure Filling

- CO₂ and Nitrogen pre-purge for reliable oxygen evacuation
- External CIP hookup with internal CIP sprayball
- Fills beverages up to 4.0 volumes of CO₂
- Transparent fill drum provides real-time view of product stability
- Easily swapped with the atmospheric fill heads

Precise Atmospheric Filling

- Exclusive one-piece fill head design for enhanced sanitary environment and increased fill level accuracy
- Proprietary CO₂ micro-burst action to better manage foam
- Purge Cycle - precision purge control means reduced dissolved oxygen pickup resulting in reliable oxygen evacuation
- Average DO pickup: 15-25 PPB
- Nitrogen compatible
- Easily swapped with the counter pressure filling unit

Rinse & Seam

- Unique post rinse & dry solution
- Short burst of water while spinning both rinses and dries cans

Included Frame

- Optional casters for increased mobility

Fills up to 15 CPM Atmospheric or 8 CPM Counter Pressure

ABE
EQUIPMENT

2001 SW 6th Street | Lincoln, NE 68522 | (402) 475-2337 | ABEequipment.com

CraftCan Go Canning Line

General Specifications

- Atmospheric: Up to 15 CPM (based on 12 oz can)
- Counter-pressure: Up to 8 CPM (based on 12 oz can)
- 64.37" L, 42.35" W, 124.2" H
- 110-120 V, 60 Hz, 12 A

Your Complete Package

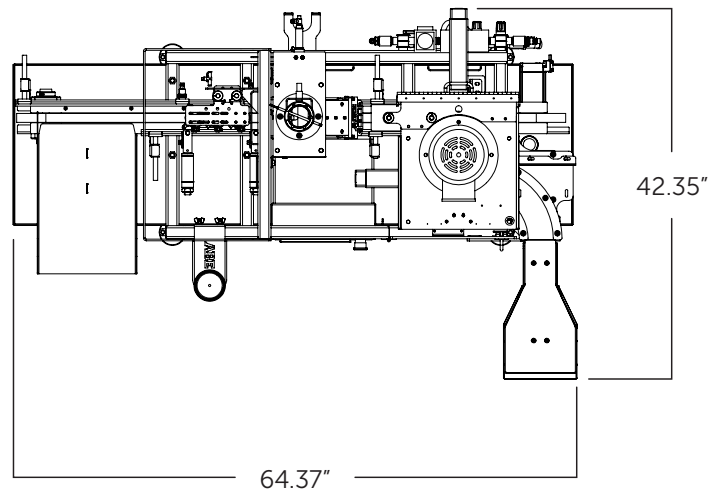
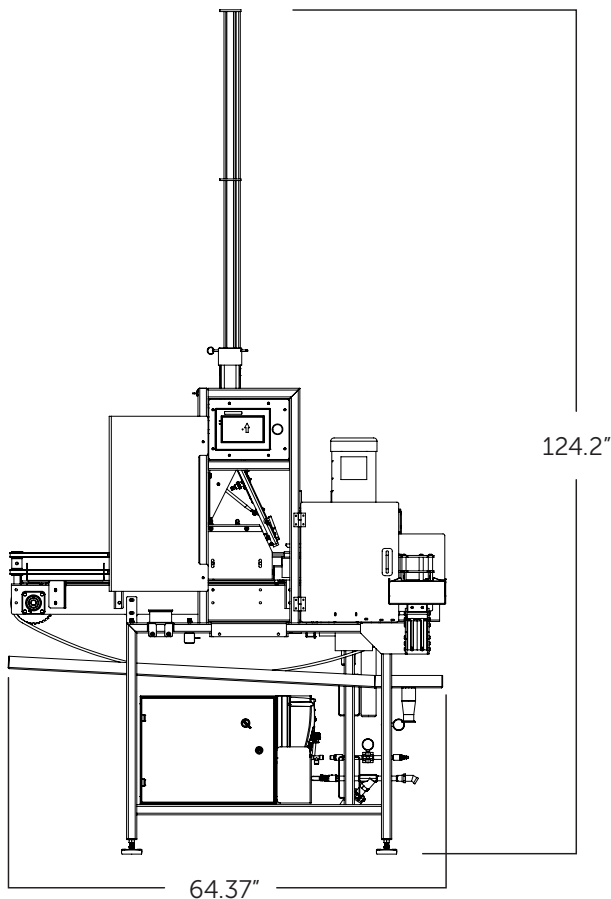
Each CraftCan Go Canning Line that leaves our facility carries UL certification and an industry-leading five year limited warranty on the metal and welds. In addition to a comprehensive spare parts inventory, you'll receive superior customer support from our team in Lincoln, Nebraska with any ABE purchase.

Compatible Bottles/Closures

- Standard US sizes: 12 oz, 16 oz, 19.2 oz (24 oz options available)
- International sizes: 330 ml, 355 ml, 375 ml, 440 ml, 500 ml, 568 ml
- Slim/Sleek: 250 ml slim, 8 oz sleek, 12 oz sleek
- Lids: CDL-E, CDL-W, CDL+, SuperEnd, SuperEndDA+, B64, ISE

Compatible Products

- Feed Tables
- TailGator Can Feed System
- Twist Rinse or Z-Rinse
- LabelMax Labeling Systems
- AutoPak Can Carrier



ABE Equipment reserves the right to change specification without notice. All specifications are approximate (+10). ©2022 ABE Equipment