

# Patriot Fill Station

**ABE**  
EQUIPMENT

ABE is proud to introduce the one-of-a-kind Patriot Fill Station. This pneumatically operated system has an exceptionally creative bottle filling design that utilizes piston-displacement technology and offers a comprehensive range of capping options. With the freedom to apply natural or silicone corks and even tamper-evident screw caps, the Fill Station brings excellent quality and product control to a new level for small-scale packaging operations.

## 2-Head Bottle Filler

- Pneumatic operation - no electrical available
- Fill up to 8 BPM/750 ml
- Accurate within <1% of volume
- Fill bottles ranging in size from 12 oz to 2.25 liter

## Corking/Capping

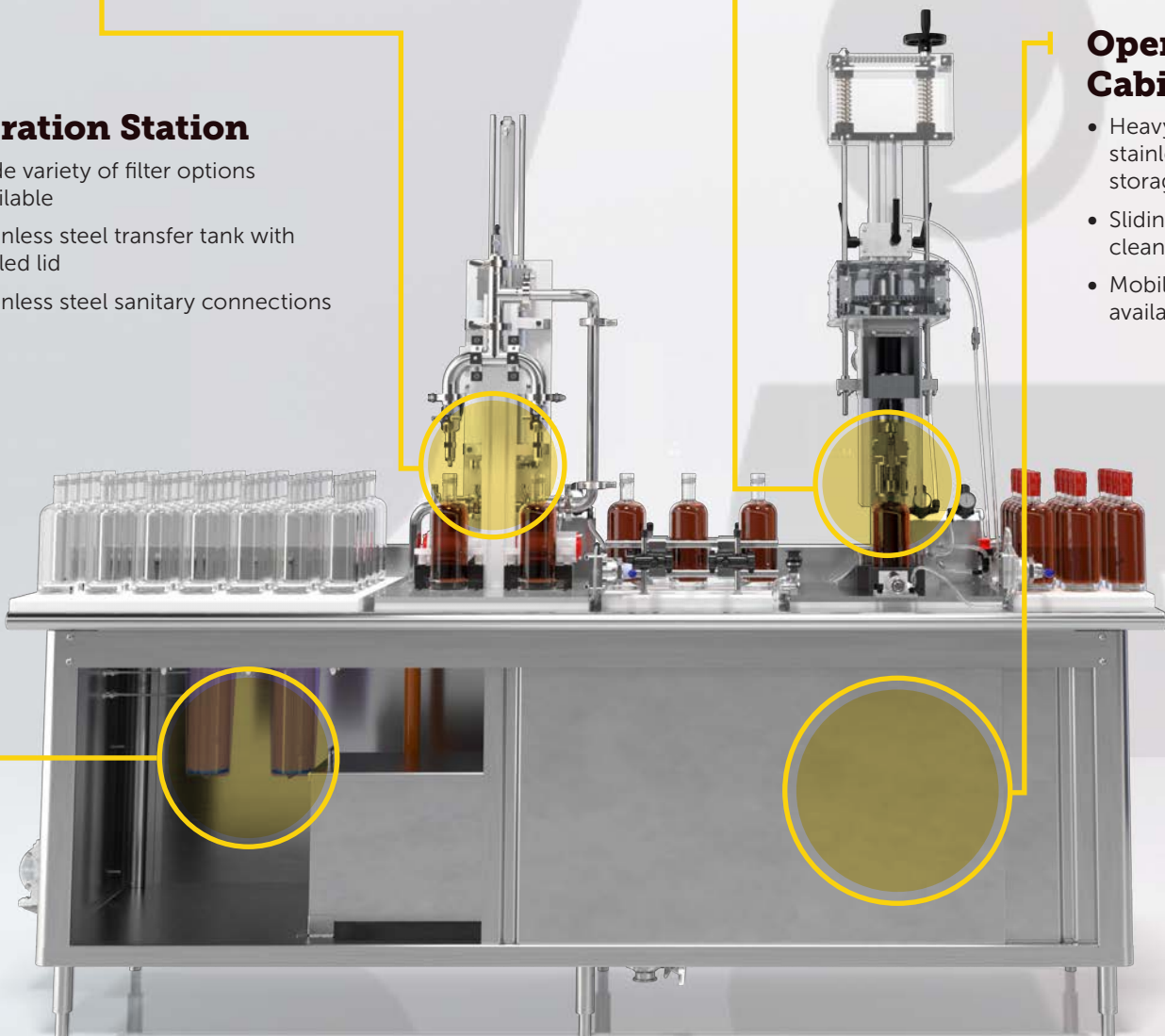
- Interchangeable capping options available
- Corks - silicone or natural
- 28/38 mm PCO

## Operations Cabinet

- Heavy duty stainless steel storage cabinet
- Sliding doors for clean operation
- Mobile options available

## Filtration Station

- Wide variety of filter options available
- Stainless steel transfer tank with sealed lid
- Stainless steel sanitary connections



**ABE**  
EQUIPMENT

2001 SW 6th Street | Lincoln, NE 68522 | (402) 475-2337 | [ABEEquipment.com](http://ABEEquipment.com)

# Patriot Fill Station

## General Specifications

- Pneumatic controls for safe operation; no electrical connection required
- One pneumatic connection to operate all equipment
- Semi-automatic operation
- Alternate configurations available

## Your Complete Package

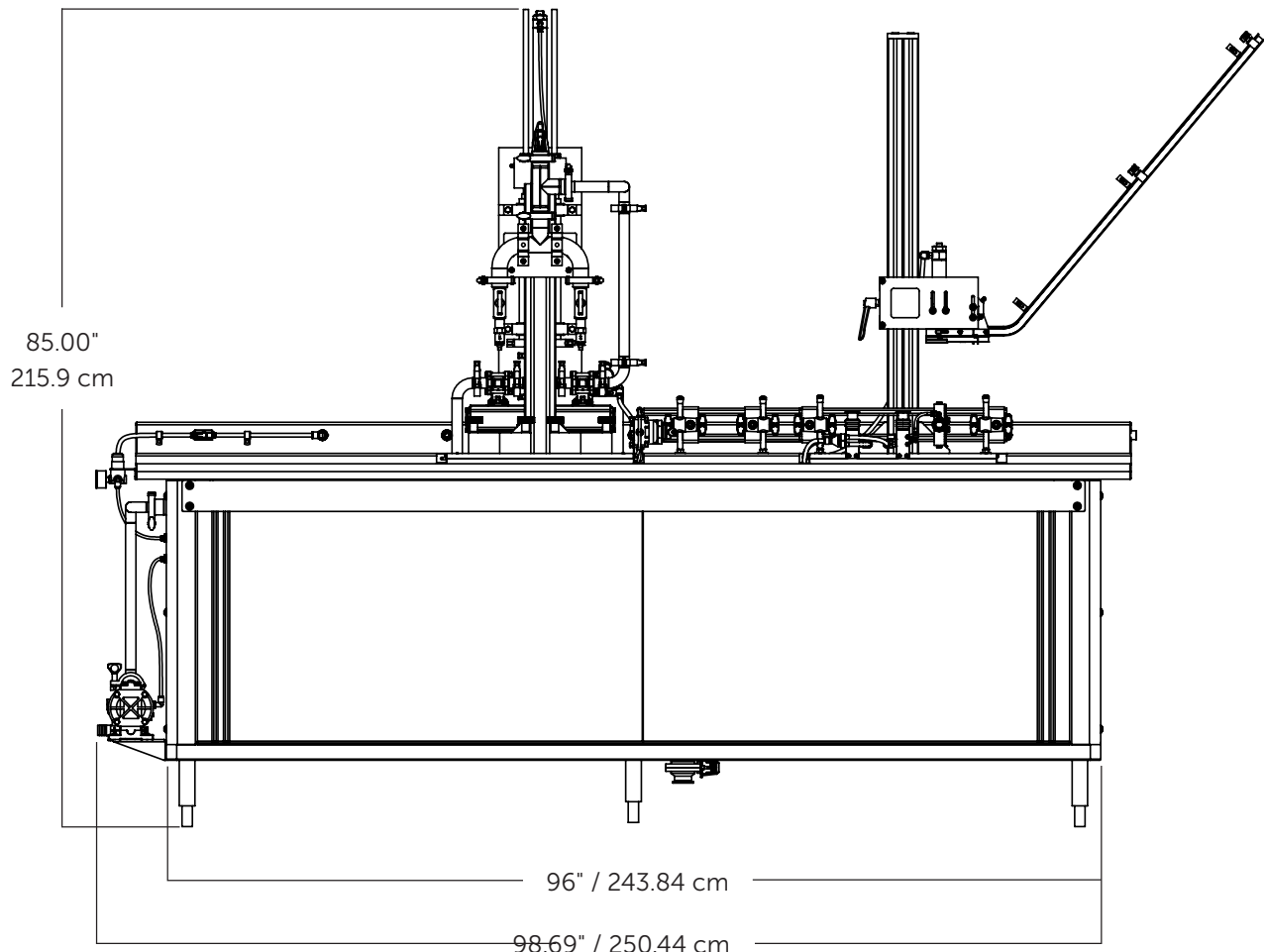
Each Patriot Fill Station that leaves our facility carries UL certification and an industry-leading five-year limited warranty on the metal and welds. In addition to a comprehensive spare parts inventory, you'll receive superior customer support from our team in Lincoln, Nebraska, with any ABE purchase.

## Compatible Bottles/Closures

- Fill bottles ranging in size from 12 oz to 2.25 liter
- Accepts glass, plastic, and aluminum bottles
- 28 mm to 38 mm tamper-evident cap sizes
- Works with natural and synthetic corks

## Compatible Products

- Tabletop Labeler
- Ozone System
- Food Grade Storage Tank
- Date and Batch Coding Options



ABE Equipment reserves the right to change specification without notice. All specifications are approximate. ©2022 ABE Equipment