

CraftCan Iso16 Canning Line

ABE
EQUIPMENT

The CraftCan Iso16 offers innovative, isobaric filling designed with your craft and quality in mind. Counter pressure filling creates an environment for low carbonation loss, and therefore low D.O. levels. From soda, seltzer, and kombucha, to beer and ready-to-drink cocktails, the Iso16 is ready to work. This compact, easily adjustable canner can package a variety of can sizes and beverages of varying CO₂ and LN₂ levels. The Iso16 includes ABE's patented Servo Seamer, providing on-demand seam monitoring and precision filling that is second to none.

Two-Head Counter Pressure Design

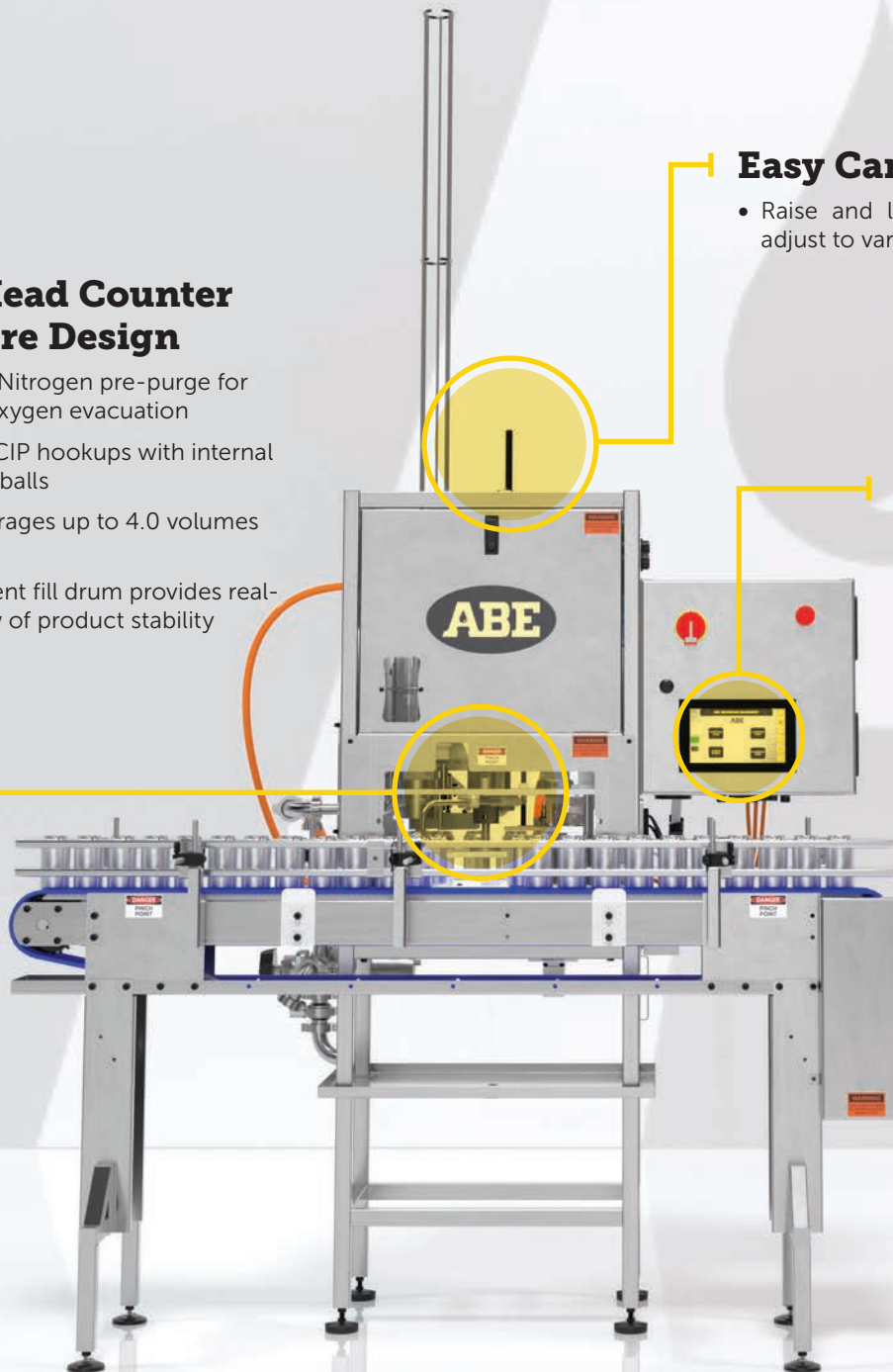
- CO₂ and Nitrogen pre-purge for reliable oxygen evacuation
- External CIP hookups with internal CIP sprayballs
- Fills beverages up to 4.0 volumes of CO₂
- Transparent fill drum provides real-time view of product stability

Easy Can Size Changeover

- Raise and lower the entire unit to quickly adjust to various can sizes

PLC Touchscreen Operation

- Fully adjustable cycle times



Fills up to 16 Cans Per Minute

ABE
EQUIPMENT

2001 SW 6th Street | Lincoln, NE 68522 | (402) 475-2337 | ABEEquipment.com

CraftCan Iso16 Canning Line

General Specifications

- Up to 16 CPM (based on 12 oz can size)
- 79" L x 26" W x 125" H
- 208 V-240 V, 60 Hz, 17 A

Compatible Cans/Lids

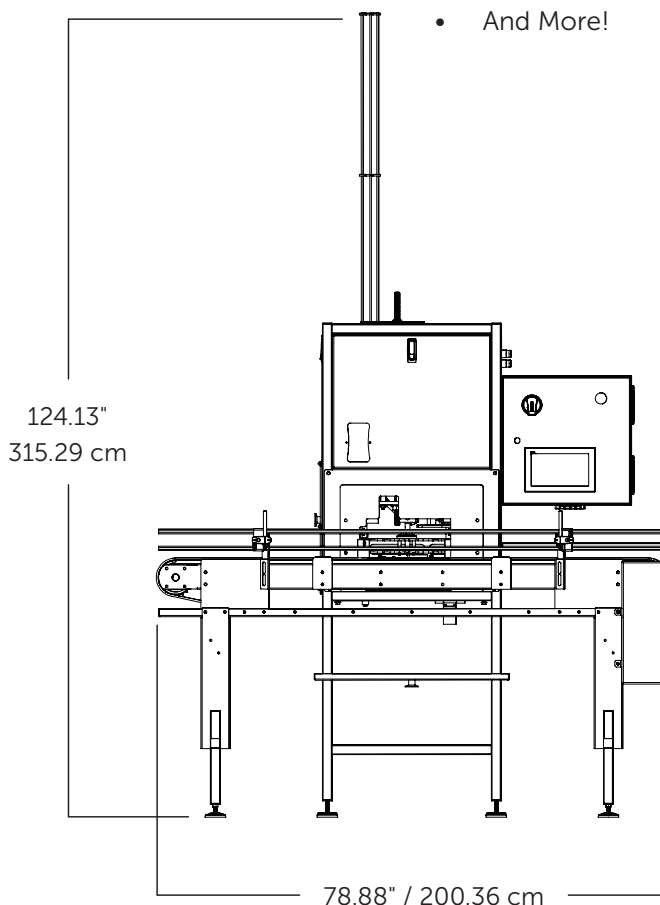
- Standard US sizes: 12 oz, 16 oz, 19.2 oz (24 oz options available)
- International sizes: 330 ml, 355 ml, 375 ml, 440 ml, 500 ml, 568 ml
- Slim/Sleek: 250 ml slim, 8 oz sleek, 12 oz sleek
- Lids: CDL-E, CDL-W, CDL+, SuperEnd, SuperEndDA+, B64, ISE
- Other sizes available upon request

Your Complete Package

Each Iso16 Canning Line that leaves our facility carries UL certification and an industry-leading five year limited warranty on the metal and welds. In addition to a comprehensive spare parts inventory, you'll receive superior customer support from our team in Lincoln, Nebraska with any ABE purchase.

Compatible Products

- YellowJacket Depalletizer
- TailGator Can Feed System
- Twist Rinse or Z-Rinse
- LabelMax Labeling Systems
- AutoPak Can Carrier
- And More!



ABE Equipment reserves the right to change specification without notice. All specifications are approximate. ©2024 ABE Equipment