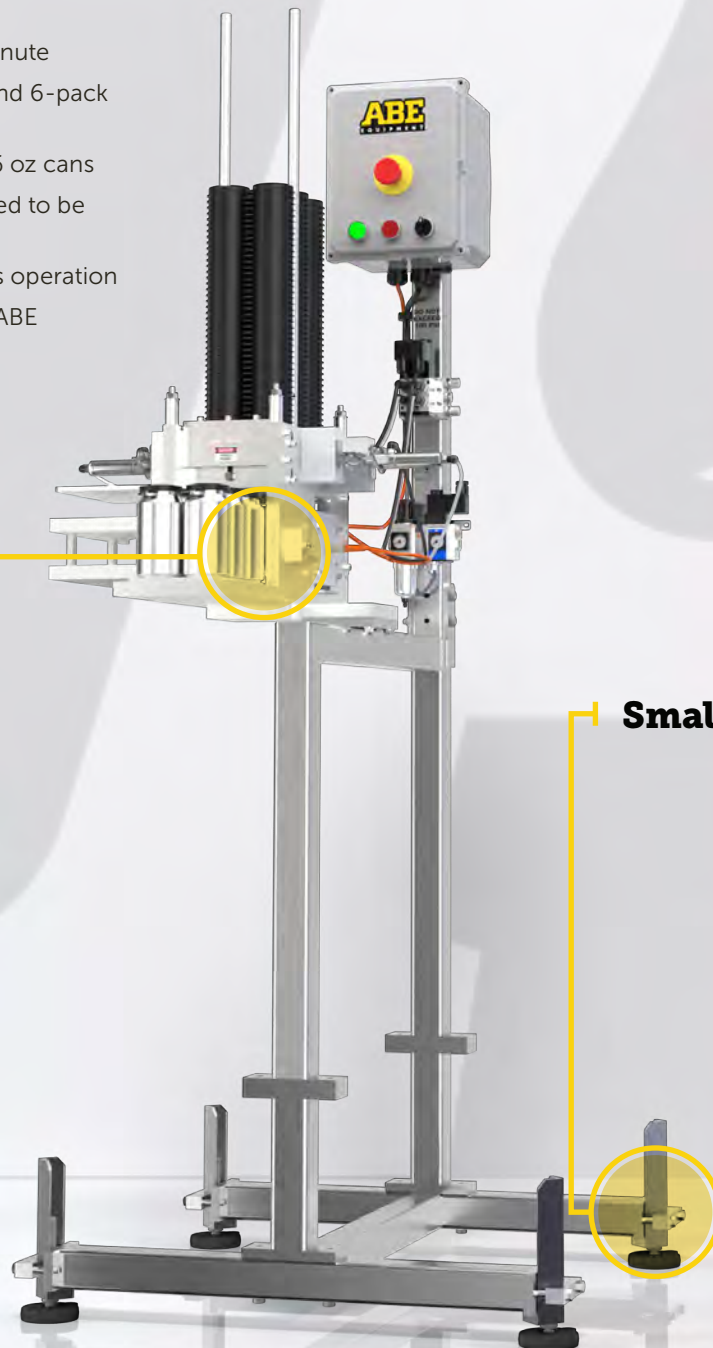


Reduce packaging time and labor with the AutoPak Can Carrier Applicator. The AutoPak was designed to perform with all ABE canners, from 15 CPM up to 90 CPM. ABE can engineer this with your new line, or add it to your existing canning system, with a minimal footprint. It is easily adjustable for both 4-packs and 6-packs for standard 12 oz and 16 oz cans.

## Reduces Labor

- Packs up to 90 cans per minute
- Easily change between 4 and 6-pack carriers
- Easily change from 12 to 16 oz cans
- Runs on 120v, does not need to be wired by an electrician
- Easy to load for continuous operation
- Can be placed in line with ABE canning lines or conveyors
- Sleek can option available



## Small Footprint

# AutoPak

## General Specifications

- Dimensions: Width: 31.00" Depth: 30.75"  
Height: Adjustable from 62.375" min to 69.25" max
- Electrical requirements: 120 v 15 amp minimum electrical connection
- Air requirements: 60 psi minimum pneumatic connection

## Additional Features

- Sleek can option available
- Holds up to 120 carriers

## Your Complete Package

Each AutoPak that leaves our facility carries UL certification and an industry-leading five year limited warranty on the metal and welds. In addition to a comprehensive spare parts inventory, you'll receive superior customer support from our team in Lincoln, Nebraska with any ABE purchase.

## Compatible Products

- ABE CraftCan Canning Lines
- Conveyors
- Packoff Table



**30+ YEARS OF EXPERIENCE**  
**130,000+ SQUARE FEET**  
**130+ EMPLOYEES**

**ABE CAMPUS**  
Lincoln, NE, USA

ABE Equipment reserves the right to change specification without notice. All specifications are approximate. ©2024 ABE Equipment