

Great things come in small packages, like the ABE Equipment BrewPilot Brewhouse. The BrewPilot Brewhouse is designed and assembled in Lincoln, Nebraska to be durable, reliable, and affordable. The small footprint and manual operation are ideal for start-ups, restaurants, or other establishments looking to create their own brews. The BrewPilot is a great option for established breweries looking for a pilot system that offers a high degree of control in the brewing process.

## Premium features

- Front-facing, grain-out door
- Steam or indirect electric heating
- Electric units circulate hot oil around jackets
- Condensate stack drip
- Heat exchanger included
- CIP sight glass

## Ready for your operation

- Completely self-contained, turnkey brewhouse
- Manual controls with digital thermometers and pump controls



## Skid-Mounted System

- 304 stainless steel, "high-grip" platform and stairs

## Adjustable leveling feet

# BrewPilot

## General Specifications

- 3 bbl: 208-240 V, 3-phase, 50/60 Hz, 90 A,  
3.5 sq meter heat exchanger  
Optimum 30 GPM @ 15 psi pump
- 5 bbl: 208-240 V, 3-phase, 50/60 Hz, 110 A  
4.5 sq meter heat exchanger  
Optimum 30 GPM @ 15 psi pump

## Your Complete Package

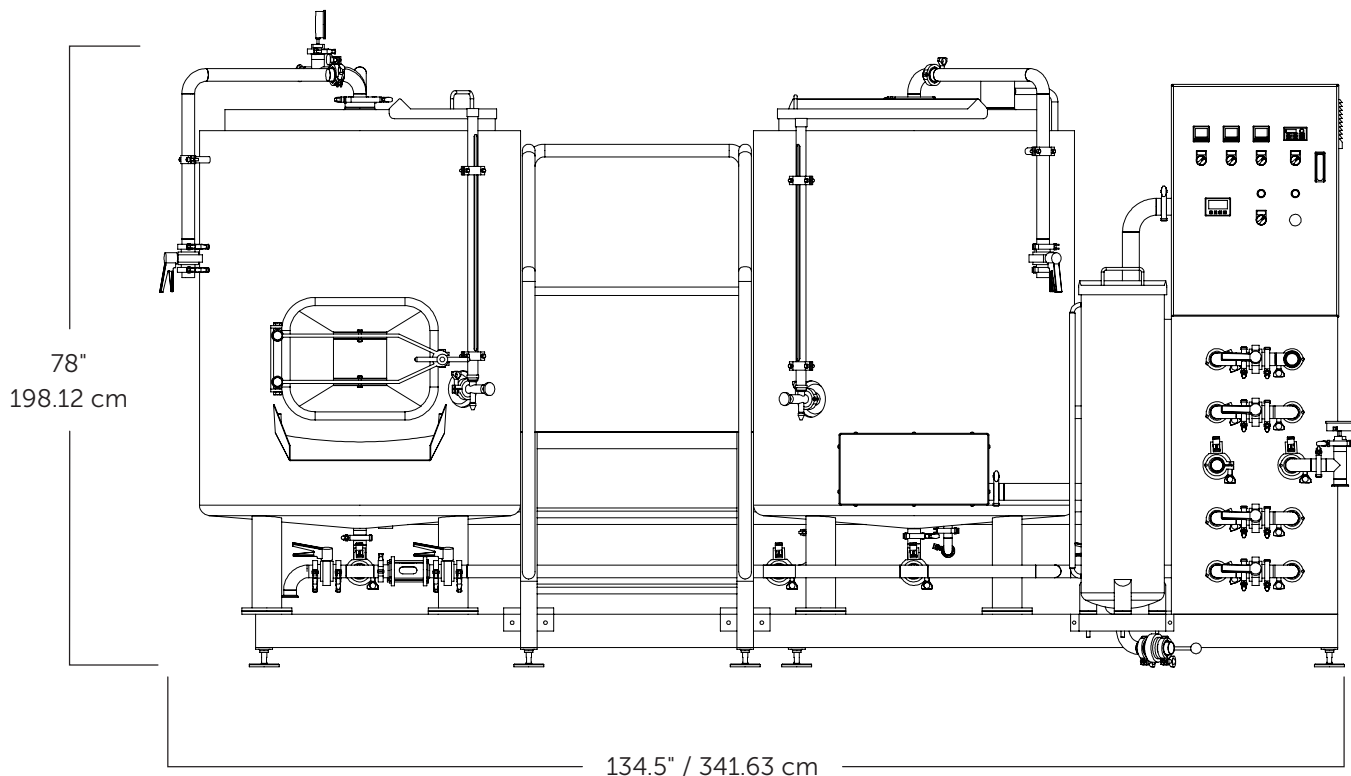
Each BrewPilot that leaves our facility carries UL certification and an industry-leading five year limited warranty on the metal and welds. In addition to a comprehensive spare parts inventory, you'll receive superior customer support from our team in Lincoln, Nebraska with any ABE purchase.

## Additional Features

- Designed for one person operation
- Equipped with sparge ring, pump and hard piped valve manifold
- UL Compliant
- Can be equipped with dual stage heat exchanger

## Compatible Products

- Fermenters and Brite Tanks
- CraftCan Canning Lines
- Grain Handling
- Hot & Cold Liquor Tanks



ABE Equipment reserves the right to change specification without notice. All specifications are approximate. ©2024 ABE Equipment