

Mash Skid

ABE Equipment has developed a unique approach to the production of small-batch craft spirits. If you are just getting into distilled spirits, this is the setup for you. ABE has designed a skid-mounted system that complements our 50 – 125 gallon Patriot Stills. This budget-friendly distillery system is the perfect solution to craft a fermented product, ready to be distilled. Our turnkey distilling equipment solutions will ensure that you and your business are set up for success. Call ABE Sales for pricing and options at 402-475-2337. Mash House solutions are available up to 1,860 gallons, and stills are built up to 1,000 gallons.

Premium Equipment

- Integrated flow meter tracks total volume of mashing water
- Precision temperature controls
- Plate and frame heat exchanger

100 Gallon Mash Tun

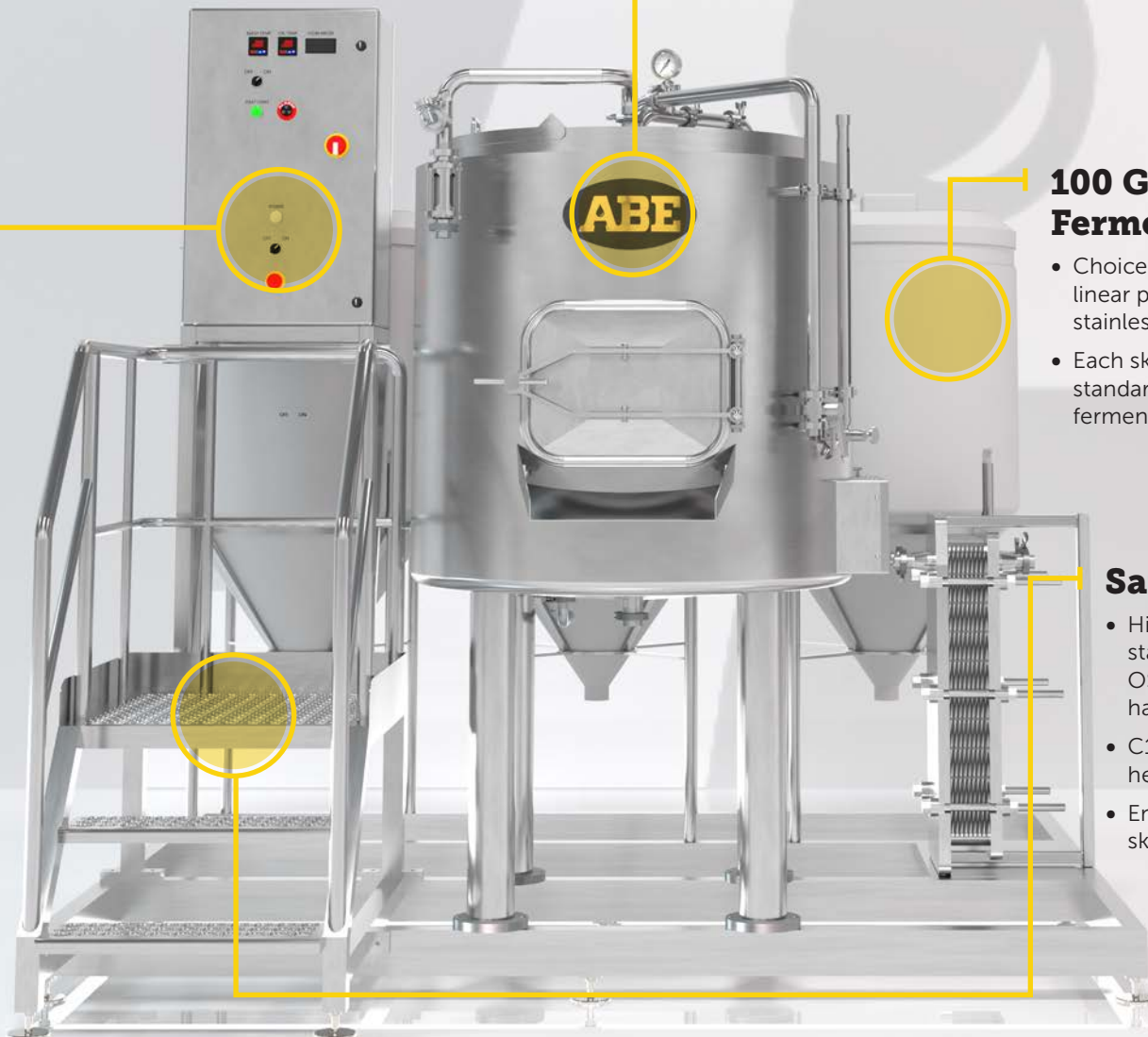
- Electric or steam jacketed
- Removable perforated plates
- Made from stainless steel
- Fully insulated vessel

100 Gallon Fermenters

- Choice of high-density linear polyethylene or stainless steel
- Each skid comes standard with 3 fermenters

Safety First

- High-traction stairs including OSHA-compliant hand railings
- C1D1 compliant heating elements
- Entire system is skid-mounted



Mash Skid

General Specifications

- 3 phase electric
- Eight 4 Kw heating elements
- UL508A compliant control panel
- Single 2 inch wash drain locations

Additional Features

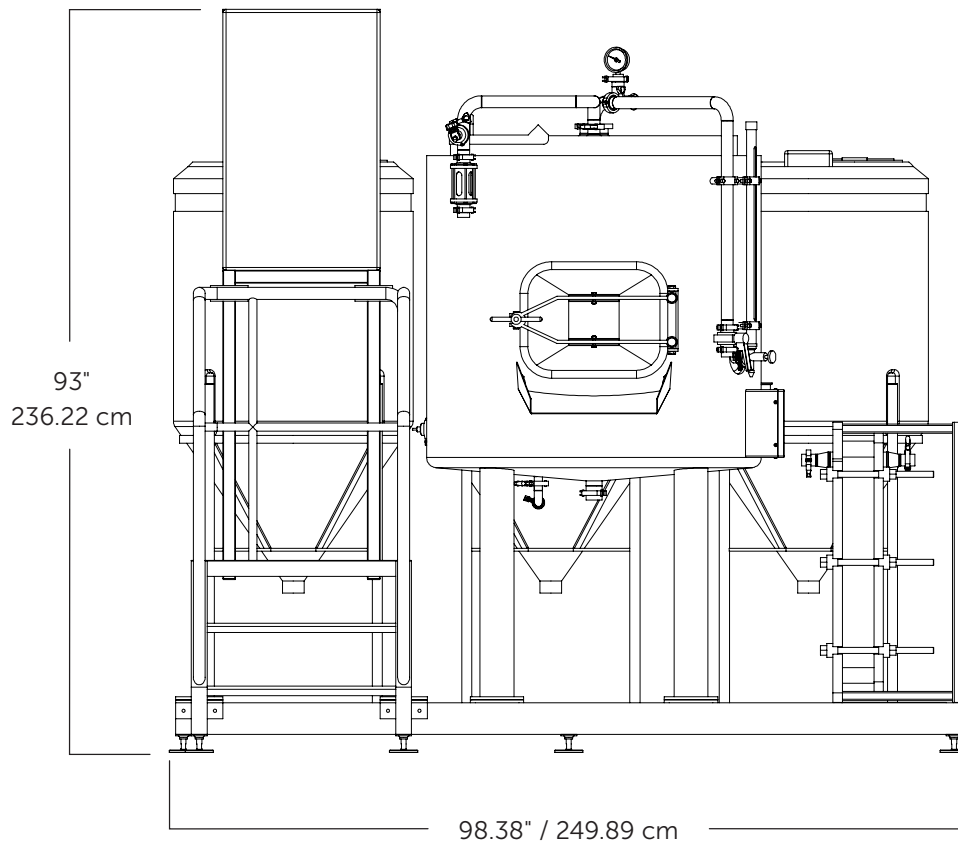
- Three 100 gallon fermentation tanks
- Heavy duty false bottom with pillar support system
- SS CIP high-flow rotary spray ball with 360° coverage
- Pressure relief off-gas valve and more!

Your Complete Package

Each Mash Skid that leaves our facility carries UL certification and an industry-leading five year limited warranty on the metal and welds. In addition to a comprehensive spare parts inventory, you'll receive superior customer support from our team in Lincoln, Nebraska with any ABE purchase.

Compatible Products

- Pilot Still
- Pilot Still Skid
- Patriot Craft Stills
- TruPatriot Bottle Filler



ABE Equipment reserves the right to change specification without notice. All specifications are approximate (+10). ©2024 ABE Equipment