

# Pilot Still

**ABE**  
EQUIPMENT

The Pilot Still by ABE Equipment is an affordable option for a small craft spirits producer. Whether you are looking for a turnkey solution to begin a distillery, or are looking to add a still to your existing business, the 50 gallon Pilot Still is the perfect solution. From moonshine to botanically-infused gin, this electric still can produce a fantastic product with minimal footprint; and it's simple and safe to use. These stills are equipped with explosion-proof heating elements, and CSA certified heating elements.

## Safety First

- 5 psi pressure relief valve on kettle automatically relieves pressure
- C1D1 rated heating elements
- Vapor temperature thermometer on lyne arm

## Rectification Column

- 6" diameter 6 plate copper whiskey column
- Copper tube and shell dephlegmator

## Premium Features

- 200 liter insulated stainless steel kettle
- Available with dual 5 Kw C1D1 heating elements or steam-jacketed
- CIP ball in the kettle and 1.5 inch sanitary center drain valve for easy cleaning
- Manual agitator
- Optional spirit safe simplifies the separation of your heads, hearts, and tails

## Final Condenser

- Tube and shell heat exchanger takes your distillate from vapor back to a liquid
- Copper tubing with a copper shell for cooling liquid management
- Water temperature thermometer on condenser



**ABE**  
EQUIPMENT

# Pilot Still

## General Specifications

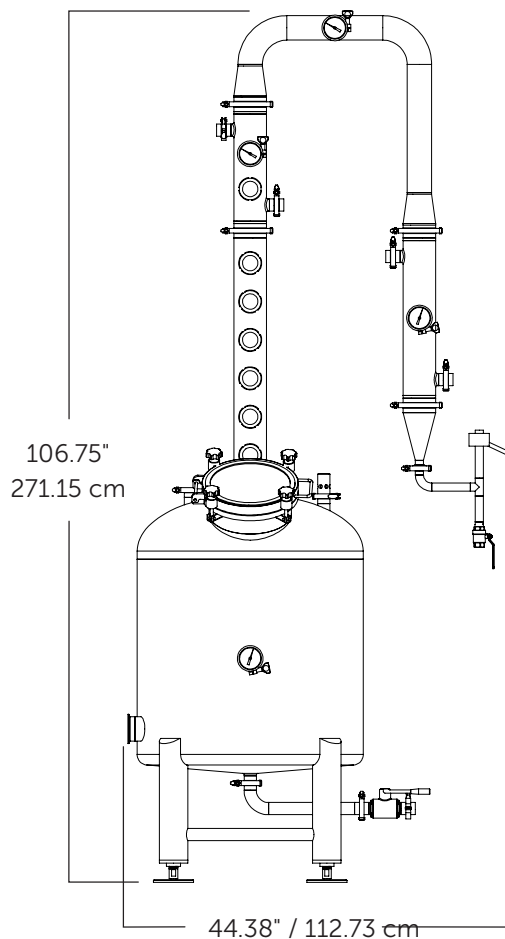
- 50 gallon boil pot volume
- Electric heat
- Electrical requirements: 208 V, 60 Hz, 1-phase, 3 wire, 52 A
- Manual mixer
- 1 gallon dephlegmator volume
- 304 stainless steel sanitary type piping and fittings
- Ask about our Patriot Craft Stills for increased production capacity

## Your Complete Package

Each Pilot Still that leaves our facility carries UL certification and an industry-leading five year limited warranty on the metal and welds. In addition to a comprehensive spare parts inventory, you'll receive superior customer support from our team in Lincoln, Nebraska with any ABE purchase.

## Compatible Products

- Cellar Tanks
- TruPatriot Bottle Filler
- CraftCan Canning Lines
- Labeling Systems



ABE Equipment reserves the right to change specification without notice. All specifications are approximate. ©2024 ABE Equipment